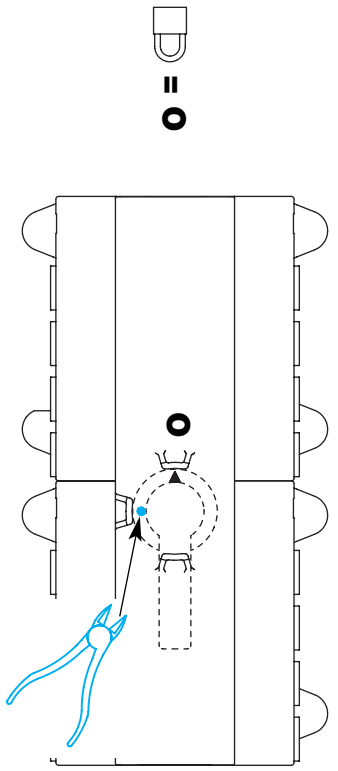
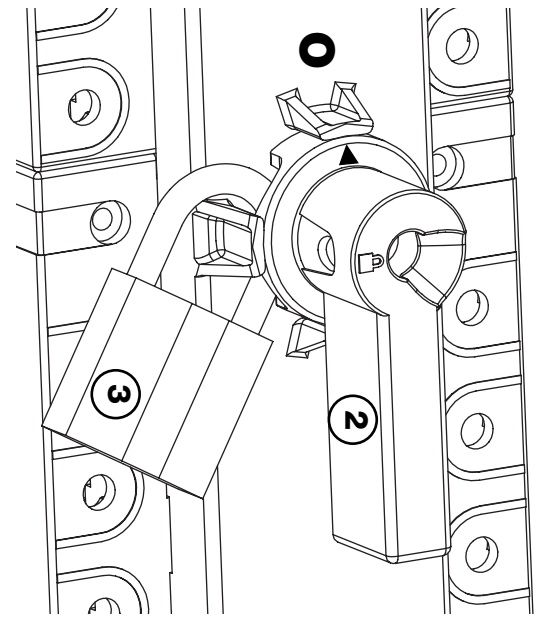
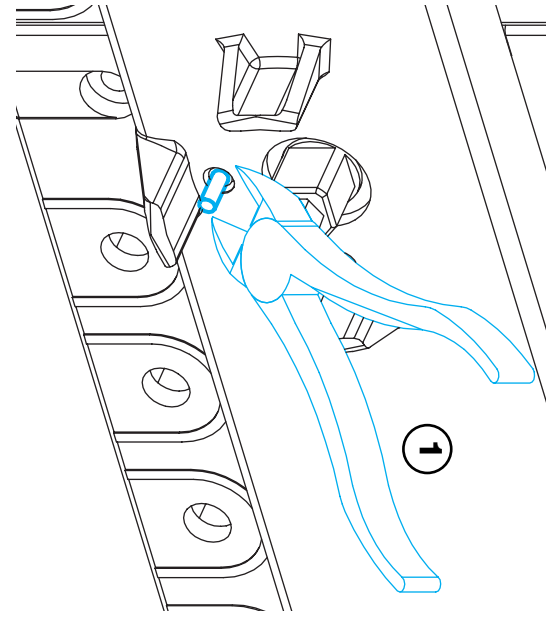


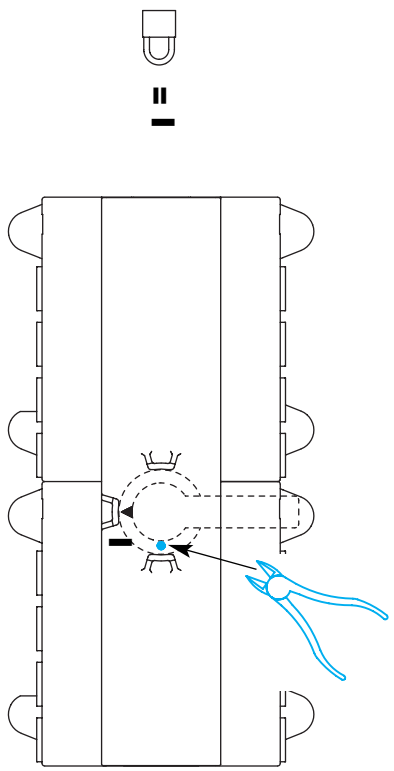
NMO 527322-G

C

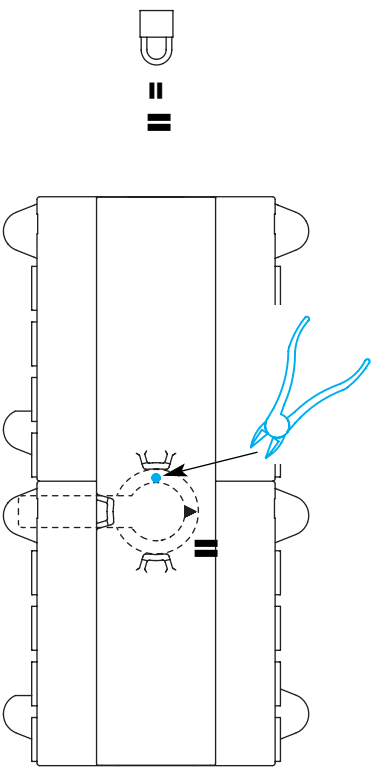
AEF	JPF	07-01-04
ETABL	VERIFIE	DATE
Issued	Checked	Date



D = 0



D = 1



D = II