



**uni jet**

**ИБП Eaton 9155М и 9355М - расширенная брошюра на продукцию. Юниджет**

Eaton 9155М - <https://www.uni-jet.com/catalog/ibp/on-line-ibp/eaton-9155m/>

Eaton 9355М - <https://www.uni-jet.com/catalog/ibp/on-line-ibp/eaton-9355m/>



Marine & offshore UPS

# Power protection on board



**EATON**

*Powering Business Worldwide*

# Power protection systems on board for safety and business



Our top priority is securing the continuity of your business. Eaton's state-of-the-art UPS hardware, experience, problem-solving capabilities and commitment to good customer and maintenance services have made us the market leader in marine and offshore UPS solutions.

We have extensive experience in supplying the marine industry with uninterruptible

power systems. Eaton® integrates a full line of uninterruptible power systems, power conversion products, power management software, remote monitoring, turnkey integration services and site support. Eaton has direct sales and service presence in more than 150 countries around the world.

[www.eaton.com/powerquality/marine](http://www.eaton.com/powerquality/marine)



### Powering marine and offshore applications

The increasing amount of new technology installed on board presents a whole new set of challenges to the electrical power supply of a vessel or a rig. Today's sophisticated high technology equipment can fail to do its work or even get damaged if the input power has disturbances or breaks down completely. That is why power systems that supply uninterruptible and clean power are essential on board. These systems are called Uninterruptible Power Systems or UPS systems.

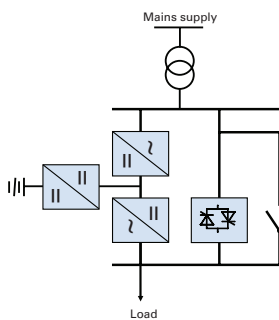
The equipment that needs power protection can be roughly divided into:

- **Safety and cruising related systems**, such as navigation equipment and emergency lighting. Classification organisations normally require UPS protection for these systems.
- **Commercial applications**, such as casinos and EPOS devices at restaurants and shops. Customer satisfaction depends on the smooth operation of these systems.
- **Special systems on board special vessels**. Exploring, drilling, lifting, and cable laying, for example, is accurate and sensitive work where mistakes cannot be tolerated.
- **Business and management support**, such as computer systems that enable continuous business management.

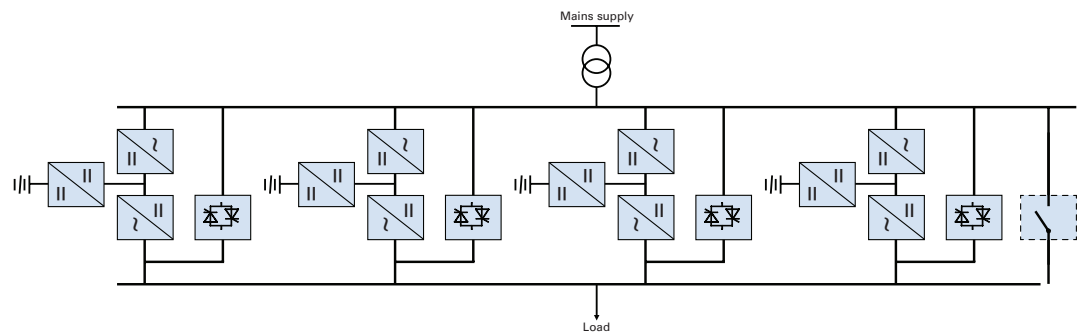
# Technology



Eaton is experienced in delivering solutions for the most demanding applications. As an example, marine UPSs have special dependability requirements due to harsh environmental conditions and to the critical nature of the protected equipment. Eaton has supplied marine UPSs to thousands of vessels over the years.



**Picture 1.** Double-conversion online UPS topology



**Picture 2.** Parallel redundant UPS system

Eaton marine UPSs are designed to meet the most stringent industry standards. The double-conversion online topology (picture 1) with a static bypass switch is Eaton’s choice for marine use. This protects against all types of power disturbances that may occur in the supplying network and is the only topology that meets the highest performance class, VFI-SS-111, requirements. All Eaton UPSs are tested and certified to meet appropriate safety and EMC standards.

Eaton UPSs are built into one cabinet that houses all the electronics: the rectifier, the inverter, the static bypass and the microprocessor control. This configuration allows the entire system to be controlled as one integral device. This leads to higher reliability than using separate power converters. It also saves plenty of valuable space.

### Higher reliability

The most critical loads may require increased protection. Therefore all 3-phase systems can be connected to parallel redundant configuration (picture 2).

In such a system two or more UPSs are supplying and sharing the same load. Should a failure occur in any of the UPS units, the faulty unit is automatically disconnected from the load and the remaining unit or units continue to supply the load. This redundancy leads to extremely high system level reliability.

### Communication options

System performance monitoring is often crucial for continuous operation. Therefore a versatile combination of remote communication options via serial communication ports and potential free contacts are available.

# Applications





- Satellite communication
- Ship automation
- Dynamic Positioning System
- Azipod control



- Internal cable TV
- Intercom, security camera systems
- Emergency Public Announcement
- Business and customer satisfaction



- Water-proof doors
- Power distribution, filtering
- Control/monitoring system
- Computer systems



- Cash registers (EPOS) at hotels, tax free and other shops, restaurants, casinos and other entertainment venues

- Emergency lighting
- Voyage Data Recorder
- Navigation equipment
- Radio and telecom



# Products

## Eaton Marine UPS

### Small systems 0-3 kVA

DNV and ABS type approved on-line double conversion UPS with automatic bypass, tower or Rack/Tower versatile, multilingual LCD display, hot swappable batteries, power management software, USB and Serial port.



9130 3 kVA



### Mid range systems 8-200 kVA

DNV type approved, BV type approved and ABS design assessed models available up to 15kVA, double-conversion online technology with power ratings 8-10kVA, single-phase input and output, 8-30kVA, three-phase input and single-phase output and 8-160kVA three-phase input and output, small foot print, patented Hot Sync® parallel capability up to four redundant systems, ABM™ technology to extend battery service life, wide communication options.



9PX 1.5 & 3.0 kW



### Large systems 225-1100 kVA

Double-conversion online technology with power ratings 225-1100 kVA, three-phase input and output, small foot print, possible for inherent redundancy, patented Hot Sync parallel capability up to four redundant systems, ABM technology to extend battery service life, wide communication options.



9155/9355-15 kVA



### Customised solutions

Beyond standard product offering it is possible to do project based modifications to meet environment requirements and customer needs. Whether these modifications are related to physical functional and appearance requirements or there is need for special regulation requirements Eaton can find the optimal solution.

### References

Eaton has the pleasure to work with top shipping companies and ship builders around the world. Our list of references includes UPS deliveries for a wide range of vessels from cruise liners and ferries to ice breakers and dredgers; from LNG carriers and cable ships to oil rigs. Contact our local sales office for references.

### Approvals

- Eaton has type approved models available up to 15 kVA
- Eaton is working for system testing and certification with:

- Lloyd's Register of Shipping (LR)
- American Bureau of Shipping (ABS)
- DNV GL
- Bureau Veritas (BV)
- RINA
- Korean standard (KR)
- China Classification Society (CCS)
- Russian Maritime Register of Shipping (RMRS)



9155/9355-15 kVA

9155/9355-40 kVA

9395-550 kVA

9PHD-100 kW

Product	Power rating	Typical applications	Installation	Approvals
Eaton 9130 Marine	1.0, 2.0, 3.0 kVA	Navigation, communication, automation, bridge equipment	Tower with mounting rails and vibration absorbers	DNV and ABS type approval
Eaton 9PX Marine	1.5 & 3.0 kW	Small servers and storage systems, Bridge equipment	Rack / Tower (free standing)	DNV GL type approval
Eaton 9155 Marine	8 - 30 kVA	Navigation, communication, automation, bridge equipment	Tower with mounting rails and vibration absorbers	DNV type approval, BV type approval and ABS PDA (up to 15 kVA) Other: Classification survey certificate on request
Eaton 9355 Marine	8 - 40 kVA	Navigation, communication, automation, bridge equipment	Tower with mounting rails and vibration absorbers	DNV type approval, BV type approval and ABS PDA (up to 15 kVA) Other: Classification survey certificate on request
Eaton 9PHD Marine	40 - 200 kW	Emergency lightning, EPOS, computer rooms, centralized systems, engine rooms, drilling equipment	Modular tower design with mounting rails and vibration absorbers	Classification survey certificate on request
Power Xpert 9395 Marine	225 - 1100 kVA	Emergency lightning, computer rooms	Tower with mounting rails and vibration absorbers	Classification survey certificate on request

# Marine UPS service

Eaton's UPS service network comprises more than 1200 service professionals and a number of authorised service partners worldwide. They make sure you get the same high quality services wherever you operate. We are available for our customers in all main ports around the world. Eaton offers service on every step of installation projects from detailed design to a full installation.

#### Eaton service products:

- Installation
- Commissioning and User's trainings
- Preventive maintenance
- Telephone support
- Battery analysis and replacement
- System upgrades
- Spare parts



# Powering business worldwide

Founded in 1911, Eaton is a diversified power management company which helps customers operating in a wide variety of industries and residential environments manage power and do more while consuming less energy.

Eaton operates in two main sectors: Industrial and Electrical. Eaton Power Quality Division, a part of the Electrical Sector, has over 50 years of experience years in designing and producing innovative power quality products. The result is an expansive portfolio of products, which help to protect our customer's business processes, critical applications and systems from all power problems and failures.

## **Doing Business Right**

When operating on different continents, dealing with different cultures and selling different products under Eaton brand we have something in common in all our businesses: we care intensely about how we get the results.

At Eaton, we're committed to "Doing Business Right" and that's not just a slogan. It's an unwavering commitment to the highest ethical practices and standards of behavior.

As an integrated global company, we are unified in our commitment to powering business worldwide.

It's how we conduct ourselves in interactions with each other, our customers and our business partners. It's how we support our communities, respect the environment, and it's a reflection of our long-standing core values and beliefs about people.

In order to fulfill our promises to our customers and community we have developed a set of internal processes and standards making it possible to enhance our practices and increase efficiency significantly.

## **Sustainable by design**

Sustainability means meeting the current needs of our society in ways that enable future generations to meet their own needs. At Eaton, sustainability is an integral part of the design of our products and production processes right from the start and extends through to the end of the products' life.



Eaton is dedicated to ensuring that reliable, efficient and safe power is available when it's needed most. With unparalleled knowledge of electrical power management across industries, experts at Eaton deliver customised, integrated solutions to solve our customers' most critical challenges.

Our focus is on delivering the right solution for the application. But, decision makers demand more than just innovative products. They turn to Eaton for an unwavering commitment to personal support that makes customer success a top priority.

For more information, visit [www.eaton.eu/electrical](http://www.eaton.eu/electrical)



**Eaton**  
Eaton Industries Manufacturing GmbH  
Electrical Sector EMEA  
Route de la Longeraie 7  
1110 Morges, Switzerland  
Eaton.eu

© 2017 Eaton  
All Rights Reserved  
Printed in Europe  
Publication No. BR153054EN / CSSC-411  
May 2017

Changes to the products, to the information contained in this document, and to prices are reserved; so are errors and omissions. Only order confirmations and technical documentation by Eaton is binding. Photos and pictures also do not warrant a specific layout or functionality. Their use in whatever form is subject to prior approval by Eaton. The same applies to Trademarks (especially Eaton, Moeller, and Cutler-Hammer). The Terms and Conditions of Eaton apply, as referenced on Eaton Internet pages and Eaton order confirmations.

Eaton is a registered trademark.  
All other trademarks are property of their respective owners.

Follow us on social media to get the latest product and support information.

